

THERMAL/THERMAL TRANSFER BAR CODE PRINTER APPLICATOR

RING MA SERIES

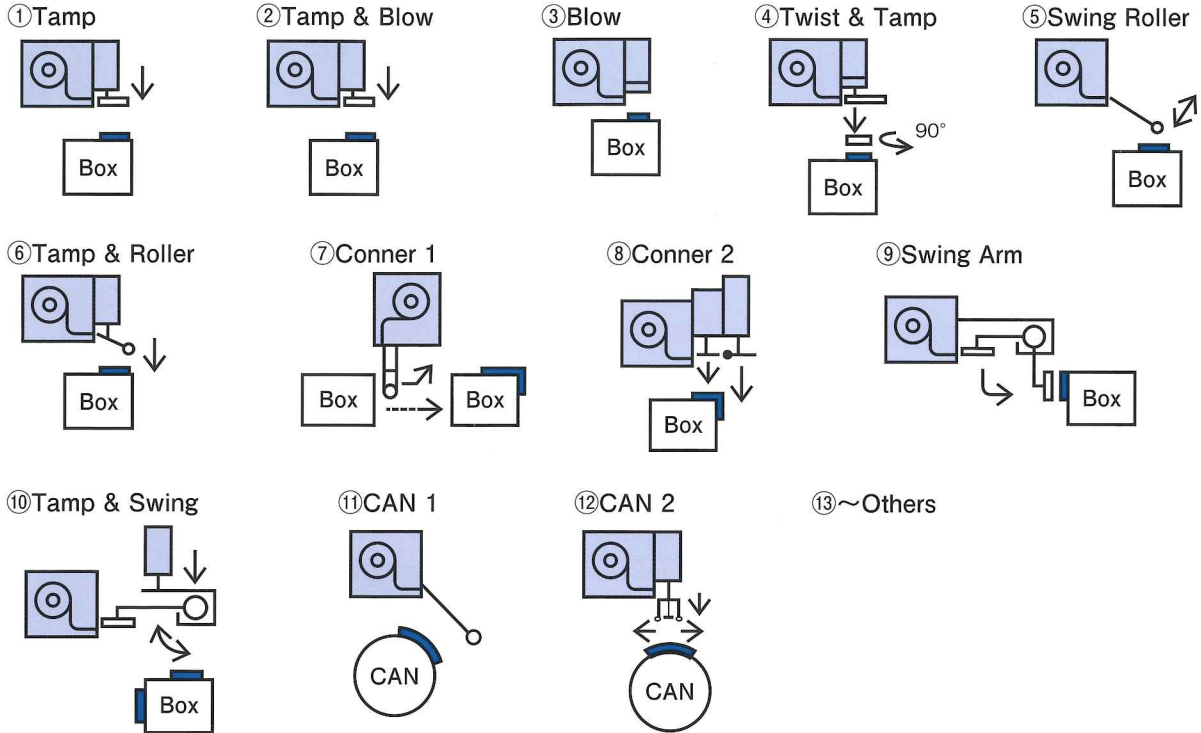


VERSATILE with ACCURACY **HIGH PERFORMANCE PRINTER APPLICATOR**

- ACCURTE WITH INTELLIGENT CONTROL
- COMPACT AND RIDGED STEEL CABINET WITH MEDIA WINDOW
- WIDE RANGE OF LABEL SIZE FROM 5MM(W)X5MM(L) TO A4 SIZE
- 203, 300, 400, 600DPI ROSOLUTION
- VARIETY OF APPLICATOR METHODS
- EXPERIENCED DESIGN OF PRINT AND APPLY IN ONE

RING MA SERIES SPECIFICATIONS

Applicator methods



PRINT METHOD

- Thermal Transfer/Direct Thermal

MEDIA TYPE

- Roll stock(die-cut labels)

PRINT WIDTH/RESOLUTION/LABEL WIDTH

- 408MA – 108.0mm / 203dpi / 116mm
- 412MA – 108.4mm / 300dpi / 116mm
- 416MA – 105.7mm / 400dpi / 116mm
- 424MA – 105.7mm / 600dpi / 116mm
- 512MA – 128.0mm / 300dpi / 130mm
- 812MA – 219.5mm / 300dpi / 226mm

MEDIA THICKNESS

- .0635mm to .254mm

LABEL ROLL

- 220 mm diameter (300mm option)

RIBBON LENGTH

- 300m

PRINT SPEED

- 15 ~ 200mm/sec

BAR CODE

- Code 39, Code 93, Code 128, NW7, 2 of 5 (Industrial, Matrix and interleaved), EAN-JAN 13/8, UPC-A/E, EAN128 QR Code, PDF417, Data Matrix, Maxi Code

MEMORY

- 16MB SDRAM/4MB(16MB option) Flash

THE ABOVE IS FOR INFORMATION ONLY.

Autonics Company limited reserves the right to change specifications without notice.

LABELING POSITION TOLERANCE

- ± 0.5mm at maximum (differs by applicator method)

CABINET

- All steel cabinet with media windows

OPERATION PANNEL and LCD DISPLAY

- Operation settings by Menu keys
- Error indications

ADJUSTABLE PRINT FUNCTIONS SELECTABLE TROUGH FRONT PANEL OR BY SOFTWARE

- Stroke Lengths (unit:1mm)
- Swing angles (unit:1 degree)
- Applicator timing (unit:0.1sec)
- Peel-off Position (unit: 0.1mm)

ERROR INDICATORS

- Label / Ribbon empty
- Head open
- Communication
- Applicator
- Parameter (Each error is notified by buzzer and LCD)

SENSORS

- Ribbon sensor (Reflective method)
- Label sensor (Transmit method)
- Home position
- Applicator sensor
- Product detecting

COMMUNICATION INTERFACE-

- LAN / RS-232C / USB
- I / O Interface

DIMENSIONS

- Print and apply module 295W x 450H x 450D mm (Tamp 200mm) (Differs by applicator method)

WEIGHT

- 30Kg (differs by applicator methods)

POWER SOURCE

- Multiple Power Supply 110~240 volts +-10% AC 50/60 HZ

Environmental

- Operating temperature: 5 to 40 Centigrade
- Humidity: below 85% Non-condensing
- Ventilation : Air Movement
- Dust : Non-Conducting, Non-Corrosive
- Compressed air : 4~9kgf/cm² (in case required)

OPTIONS

- Stand
- Extended Operation Panel with LCD
- Ribbon/Label Short Warning
- Stroke length up to 1000mm
- Clean room
- Labeling error detection
- Barcode verifier

THE ABOVE IS FOR INFORMATION ONLY.
Autonics Company limited reserves the right to change specifications without notice.

Autonics Co., Ltd.
4-14-26 Shimomuneoka Shiki-shi
Saitama 3530008 Japan
www.ringprinter.com/sales@autonics.co.jp



MA1706